

LD10237



LED Up or Down Wall Washer

Data sheet - Page 1


 Design: Stan Baxter Lighting Design
 Project: Private Residence
 Product: LD10236

A compact, high quality wall washer with excellent output. The LD10237 has a very minimal design ensuring it will blend into most interior and exterior project styles. Low glare has been achieved by setting the LED back into the fitting which is then held in place by a matt black anti glare ring. It has been used for general illumination and creating effects around buildings, as well as an extensive list of interior projects. It is available in a range of finishes.

Key Features

- LED and lens assembly recessed within a black anodised body for reduced glare
- High quality machined components
- Interior or exterior use
- Minimal aesthetic enabling it to fit into most project styles
- Discreet fixing with two grub screws behind the body
- Single optic produces a very consistent beam with no multiple shadows
- Narrow 10° spot is available for lighting columns and arches or an oval 15°x 30° spreader lens which is ideal for wall washing
- RGBW LED option uses a larger optic, for a premixed light beam immediately adjacent to the LED
- Available with Switch, 0-10V, DMX, Dali or Mains dimmable drivers



Specification

Applications						
Beam Angles	10°, 30°, 50°, 15°x 30°					
LED type	1 x Cree MKR 4 die LED with 2 Step Easy White binning					
Colour temperature	2700K / 3000K / 4000K			5000K		
Current	350mA	500mA	700mA	350mA	500mA	700mA
LED power (Max)	5W (4.4W)*	7W (6.3W)*	10W (9W)*	5W (4.4W)*	7W (6.4W)*	10W (9W)*
CRI (Min)	85	85	85	80	80	80
Forward voltage (V) ₁₀₀	14V	14V	14V	14V	14V	14V
Delivered lumens (L ₁₀₀)**	345	469	584	369	502	625
Lumens per circuit watt	78	74	65	84	80	69
LED lifetime (to 70% lumen maintenance)	50,000hrs at a max ambient temperature of 35°C (if higher ambient then run at 350mA up to 45°C)					
Glass	3mm thick borosilicate					
Materials	Anodised aluminium body, with stainless steel fixing bracket					
Wiring	Comes pre-wired with 2 core 1m lead. Can be specified with up to 10m at extra cost.					
IP rating	IP67					

*LED wattage includes losses associated with using an 85% efficient driver

** lumen output indicated is with the 10° optic. Allow 15% less for other beam angles.

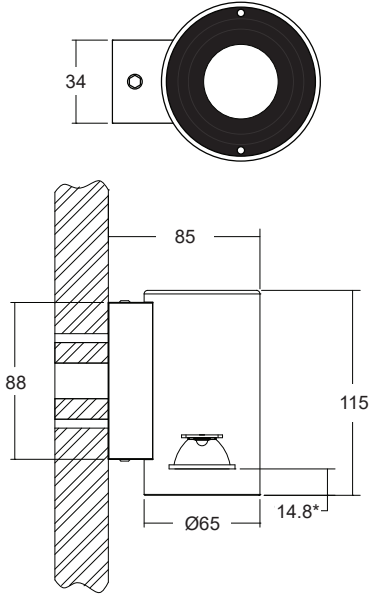
LD10237

LED Up or Down Wall Washer

Data sheet - Page 2



Dimensions



* 4.3mm when using the taller RGBW optic
(Dimensions in mm)

Finish Options

A range of finishes are available. Painted and anodised finishes are both suitable for exterior applications. However for harsh environments anodised is more hard wearing.



*Fitting shown is a modified LD10236

Photometrics

Photometric files are included in the design pack which can be downloaded from the LD10237 product page on the website.

Lens Options

/NB - 10° narrow



/OB - 15° x 30° spreader



Order Codes and Options

Product code	LED colour	Beam angle	Finish
LD10237 - 350 - 500	<input type="text"/>	<input type="text"/>	<input type="text"/>

Example: LD10237-350 / LW30 / NB / White

Product codes with output options

5W 350mA	LD10237-350
7W 500mA (max for RGBW)	LD10237-500
10W 700mA	LD10237-700

LED colour options

LED colour options	Suffix
Extra Warm White (2700K)	/LW27
Warm white (3000K)	/LW30
White (4000K) - on request	/LW40
White (5000K)	/LW50
RGBW (4000K White)	/RGBW

Lens options

Lens options	Suffix
10° narrow	/NB
30° medium	/MB
50° wide	/WB
15° x 30° spreader	/OB

RGBW LED comes with a 26° lens

Finish options

- Silver anodised
- Chemically brightened (stainless steel effect)
- Paint finish black / white (RAL 9016) / RAL

LED Drivers

For our complete range of LED drivers please download the data sheet from the downloads section at www.lightgraphix.co.uk

